

# ROBINIA RB1319



3 - 14 years



49 kids



75,2 m<sup>2</sup>



## Material specification

- Construction made of Robinia - very durable acacia wood with a diameter of ~ 18 cm without sharp edges, resistant to weather conditions,
- Steps made of anti-slip and waterproof HPL plate,
- Climbing stones made of durable HPL plate, resistant to weather conditions, and stainless steel,
- Steel ropes in polypropylene braid, connected with durable aluminum, stainless steel and/or plastic elements,
- Certified, durable polypropylene rope 140 x 140 mm,
- Calibrated stainless steel chains, preventing fingers entrapment,
- Grips made of synthetic material,
- Rungs made of synthetic material,
- Screws covered with plastic caps and/or stainless steel screws,



**Physical development**



pull-up



passage



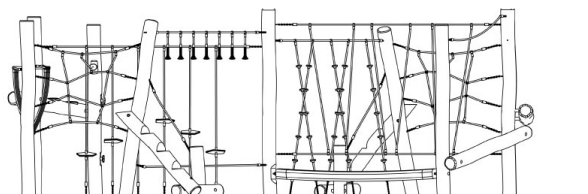
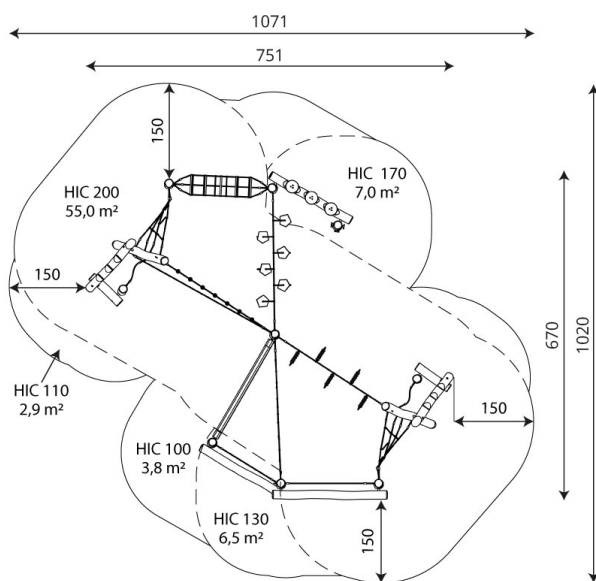
climbing





**9**

number of activity elements



**Product technical sheet**

**ROBINIA RB1319**

**Product data**

Length	751 cm
Width	670 cm
Total height	240 cm
Age group	3 - 14 years
Number of users	49 kids
Safety zone	75,2 m <sup>2</sup>
Free fall height	200 cm
In accordance with norm EN	1176-1:2017
Weight of the heaviest part	79 kg
Dimensions of the largest part	340x18x18 cm
Availability of spare parts	YES
Installation time	12,0 h

Data is subject to change without prior notice.

**Additional information**

- equipment intended for public playgrounds;
- equipment has a certificate issued by an accredited entity or a declaration of conformity;
- no sharp edges or chinks that would pose a danger of jimmie the head, fingers or any other body parts;
- anchoring on flat surface, 100/80/70/60 cm deep;
- render is for reference only, the actual appearance of the equipment and its color may vary;

**Guarantee**

**30**

30 year guarantee - Structural strength of steel and stainless steel components

**15**

15 year guarantee - Structural failure of steel and stainless steel, for dynamic equipment

**10**

10 year guarantee - Structural failure of high density polyethylene and high pressure laminates components

**5**

5 year guarantee - Corrosion of stainless steel and hot dip galvanized and powder coated components; against bark beetles and rot in case of wooden structural elements

Detailed information in the guarantee card

Vinci Group Sp. z o.o.  
Seminaryjna 9 Street  
99-400 Łowicz

VAT: 534-250-14-46  
PHONE: +48 42 203 24 99 ext. 26  
M: +48 793 404 991



biuro@vinci-play.com  
info@vinci-play.com  
[www.vinci-play.com](http://www.vinci-play.com)

## Surfaces according to EN 1176-1:2017

	Description (mm)	Layer thickness (cm)	Maximum fall heights (cm)
Turf/ top layer of soil (A,B,C)	-	-	≤100
bark (A,C)	Particle size from 20 to 80	30	≤200
		40	≤300
woodchips (A,C)	Particle size from 5 to 30	30	≤200
		40	≤300
sand or gravel (A,C)	Particle size from 0,25 to 8	30	≤200
		40	≤300
synthetic attested (A,B,C)	Tested according to EN 1177		200

## Product technical sheet

# ROBINIA RB1319

### Amount of safe surface corresponding with free fall height:

HIC 100 3,8 m<sup>2</sup>

HIC 110 2,9 m<sup>2</sup>

HIC 130 6,5 m<sup>2</sup>

HIC 170 7,0 m<sup>2</sup>

HIC 200 55,0 m<sup>2</sup>

Data is subject to change without prior notice.

