

ROBINIA RB1242



2+



11 kids



31,7 m²



Material specification

- Construction made of Robinia - very durable acacia wood with a diameter of ~ 18 cm without sharp edges, resistant to weather conditions,
- Platforms made of Robinia - very durable acacia wood, resistant to weather conditions,
- Side panels made of Robinia - very durable acacia wood without sharp edges, resistant to weather conditions
- Slides made of stainless steel,
- Moving elements made of durable HPL plate, resistant to weather conditions,
- Dashboard and steering wheel made of durable HDPE plate, resistant to weather conditions,
- Steel ropes in polypropylene braid, connected with durable plastic elements, stainless steel or aluminum,
- Calibrated stainless steel chains, preventing fingers entrapment,
- Screws covered with plastic caps and/or stainless steel screws,



Facilitating disability



easy access



shelters



integration



Intellectual development



sensory



thinking



Physical development



hiding



sliding



climbing



crawling





1
number of towers



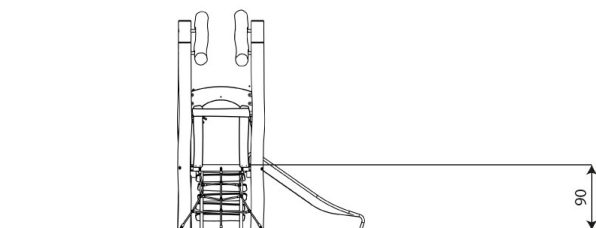
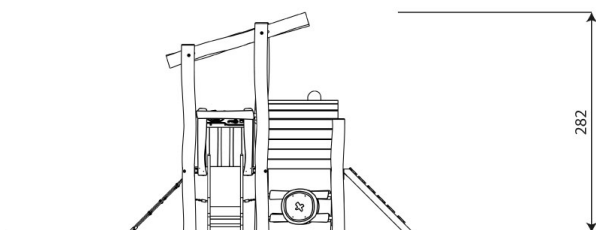
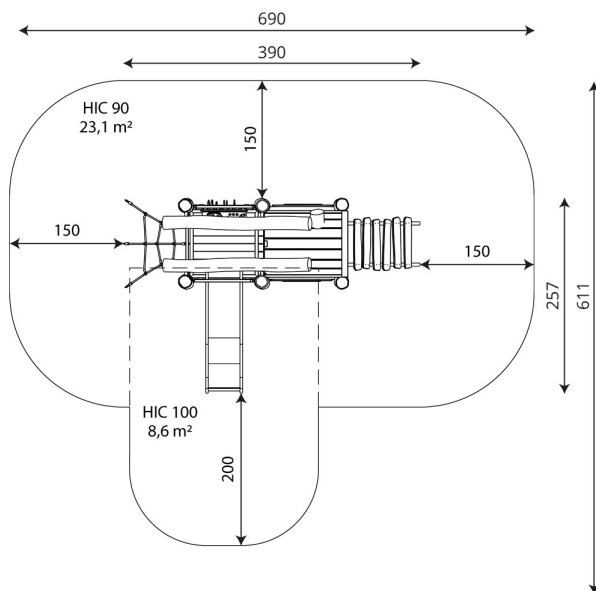
1
number of slides



1
number of interactive elements



3
number of activity elements



Product technical sheet

ROBINIA RB1242

Product data

Length	390 cm
Width	257 cm
Total height	282 cm
Age group	2+ years
Number of users	11 kids
Safety zone	31,7 m2
Free fall height	90 cm
The height of the platforms	90 cm
In accordance with norm EN	1176-1:2017
Weight of the heaviest part	81 kg
Dimensions of the largest part	350x18x18 cm
Availability of spare parts	YES
Installation time	5,0 h

Data is subject to change without prior notice.

Additional information

- equipment adapted for the disabled; intended for public playgrounds;
- equipment has a certificate issued by an accredited entity or a declaration of conformity;
- no sharp edges or chinks that would pose a danger of jimmie the head, fingers or any other body parts;
- anchoring on flat surface, 80/70/60 cm deep;
- slide should not be installed southwards;
- render is for reference only, the actual appearance of the equipment and its color may vary;

Guarantee

30 30 year guarantee - Structural strength of steel and stainless steel components

15 15 year guarantee - Structural failure of steel and stainless steel, for dynamic equipment

10 10 year guarantee - Structural failure of high density polyethylene and high pressure laminates components

5 5 year guarantee - Corrosion of stainless steel and hot dip galvanized and powder coated components; against bark beetles and rot in case of wooden structural elements

Detailed information in the guarantee card

Vinci Group Sp. z o.o.
Seminaryjna 9 Street
99-400 Łowicz

VAT: 534-250-14-46
PHONE: +48 42 203 24 99 ext. 26
M: +48 793 404 991



biuro@vinci-play.com
info@vinci-play.com
www.vinci-play.com

